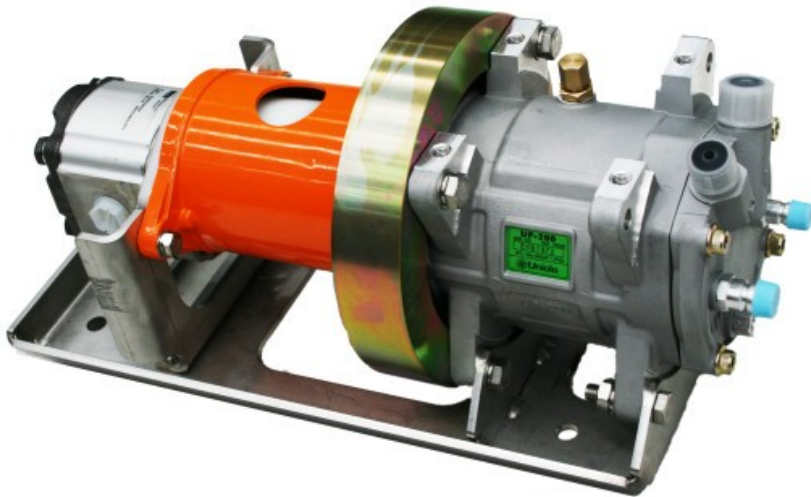
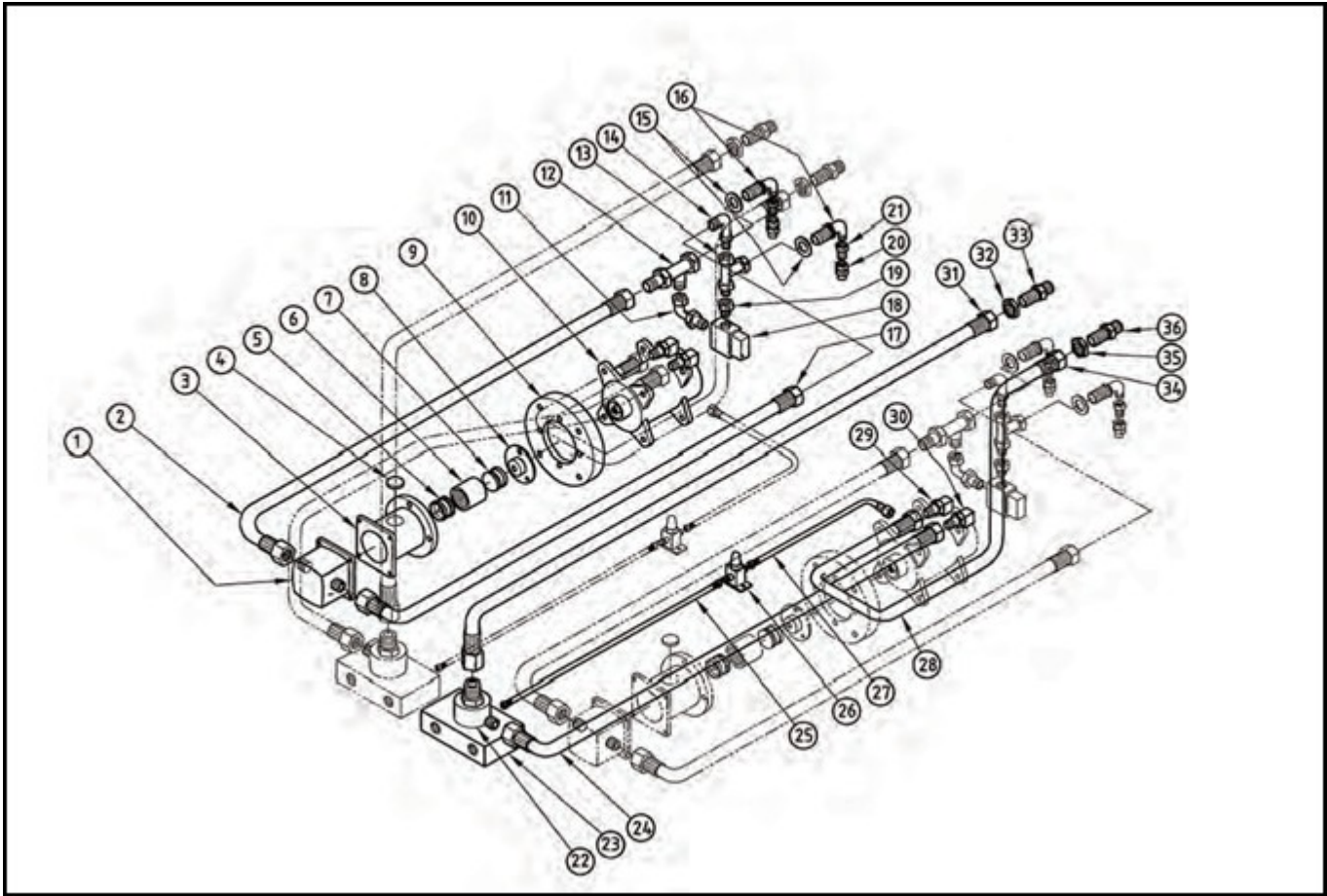


Sigma HDC200  
And HDC Dual  
Hydraulic Compressor Drive  
Parts List





ITEM	PART No.	QTY	DESCRIPTION	ITEM	PART No.	QTY	DESCRIPTION
1		1	HYDRAULIC MOTOR		522252	1	SOL VALVE COMPLETE 24V
3	AS509727	1	BELL HOUSING		522253	1	SOL VALVE BODY
4	971172	1	BLANKING GROMMET M196		522311	1	SOL VALVE COIL 24V
5	AS509742	1	MOTOR COUPLING MALE		631203	1	PLUG ASSY
6	AS509744	1	COUPLING SLEEVE FEMALE				
7	AS509743	1	COMPRESSOR COUPLING MALE				
8	AS509745	1	COMPRESSOR SHAFT ADAPTOR				
9	AS509746	1	COMP PLATE ADAPTOR UP170				
	AS509747	1	COMP PLATE ADAPTOR UP200				
10		1	COMPRESSOR HYDRAULIC UP170				
	270019E	1	COMPRESSOR HYDRAULIC UP200				
14	270325	1	NIPPLE				
	270326	1	NIPPLE				