

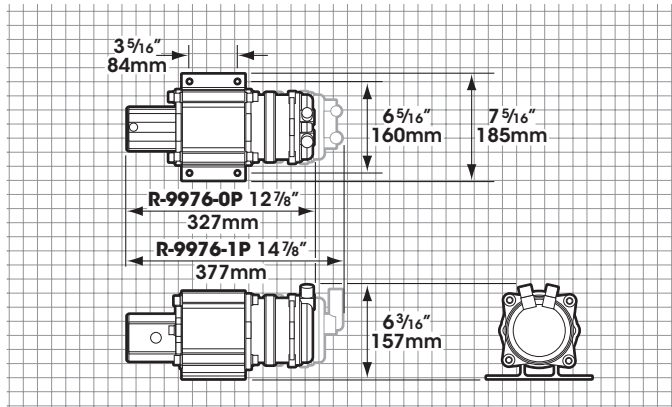
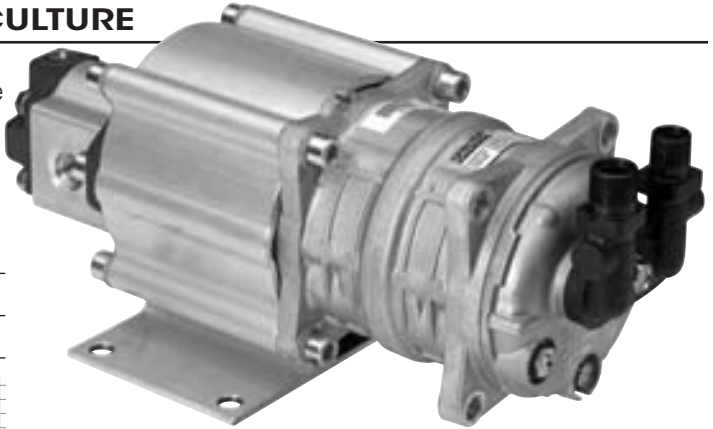
R-9976

Hydraulic Axial Direct Drive

CONSTRUCTION • MINING • AGRICULTURE

The perfect solution when you can't run the compressor directly from the engine. The R-9976 requires no belts, minimizes A/C hose length while maximizing performance. Compressor speed control is possible on this unit with a separate hydraulic device supplied by the installer.

	GPM	Maximum PSI	Compressor Displacement
R-9976-0P	1.1 – 6.3	3,988	5 cu. in.
R-9976-1P	1.1 – 6.3	3,988	9.3 cu.in.



WARNING: Red Dot Corporation takes no responsibility for modifications to the vehicles hydraulic systems. All hydraulic modifications must be done by a certified hydraulic technician.

HYDRAULIC CONTROL VALVE

For use with R-9976-0, -1

72R9904 RD-5-11209-0P

Electrically piloted hydraulic control valve (normally open) 24volt



72R9912 RD-5-11210-0P

Used to convert 72R9004 (left) to 12 volts



PRESSURIZER & REMOTE MOUNT FILTERS

Booster Blower

AGRICULTURAL • MINING • INDUSTRIAL

Attaching directly to the 78R5100 and 78R5110 remote mount filters (shown below) the Booster Blower forces dust free air into the cab through our heater and air conditioner units.

PRESSURIZER SPECIFICATIONS

AIR FLOW	140 CFM (238m ³ /h) with filter; 230 CFM (391 m ³ /h) free flow
WEIGHT	7 lbs. (3 kg)
MOTOR/FAN	One 12 VDC, single speed (24 VDC available)
CURRENT DRAW	10.2 amps @ 13.6 VDC 6 amps @ 27.2 VDC
DIMENSIONS	4" inlet 3" outlet
UNITS	73R9202 (12 VDC) 73R9204 (24 VDC)



Remote Mount Filters

The integration of Red Dot's Remote Mount Filters with the Booster Blower guarantees your dust-free working environment.

BACKPACK MOUNT

78R5000



9" Dia x 16" long
(228mm x 464mm)

REPLACEMENT PARTS

Filter Model	78R5000
Filter	78R5200
Hood	RD-5-4288-OP
Band	RD-5-4289-OP
Rubber Elbow	78R5500

HORIZONTAL MOUNT

78R5100



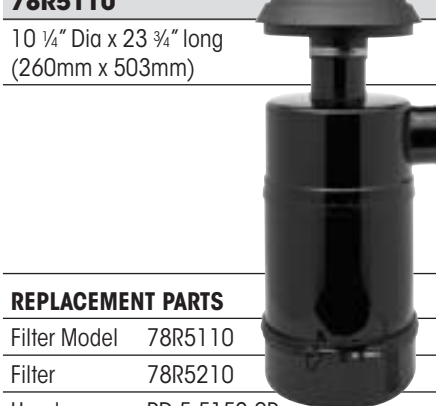
10 1/4" Dia x 18" long
(260mm x 457mm)

REPLACEMENT PARTS

Filter Model	78R5100
Filter	78R5210
Hood	RD-5-5151-OP
Band	RD-5-5150-OP

VERTICAL MOUNT

78R5110



10 1/4" Dia x 23 3/4" long
(260mm x 503mm)

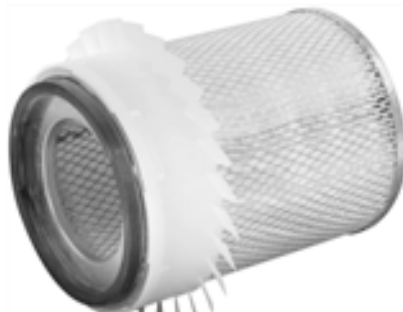
REPLACEMENT PARTS

Filter Model	78R5110
Filter	78R5210
Hood	RD-5-5152-OP
Band	RD-5-5150-OP

* Cab pressure and protection level may vary with individual cab integrity



Intake Replacement Filter
78R5200



Fresh Air Intake Replacement Filter
78R5210



Air Outlet Adapter For Pressurization
72R4531

GIDEON TECHNOLOGY POWERED HVAC AIR FILTRATION SYSTEM

Booster Blower

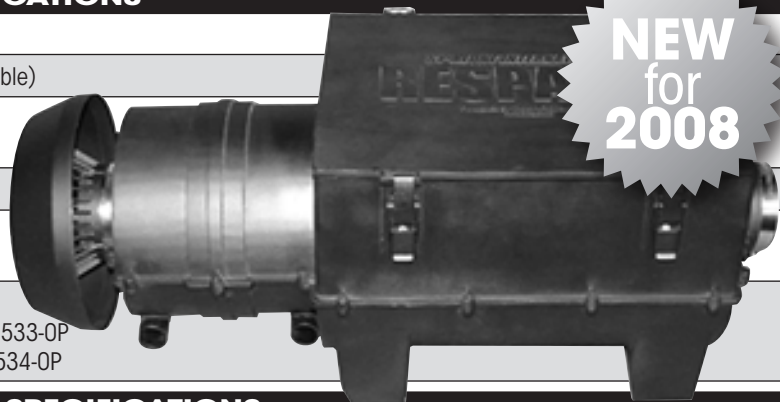
AGRICULTURAL • MINING • INDUSTRIAL

Forces dust free air into the cab through our heater and air conditioner units. This unit will extend filter life by hundreds of hours. You will be able to maintain cab pressure, even when the A/C is off. You'll keep evaporator and heater cores clean and increase operator comfort.

RESPA will help meet the May 2008 DPM Exposure Reduction Regulations and upcoming respirable silica limits.

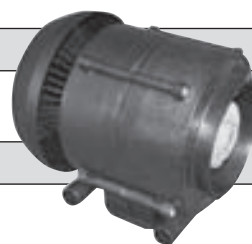
RESPA GIDEON PRECLEANER SPECIFICATIONS

WEIGHT	18 lbs. (8.16 kg)
MOTOR/FAN	One 12 VDC, single speed (24 VDC available)
CURRENT DRAW	10.2 amps @ 13.6 VDC 6 amps @ 27.2 VDC
DIMENSIONS	24.5" long x 10 1/4" wide x 9 5/8" high
UNITS	78R5622 (12 volt) RD-5-12531-OP 78R5624 (24 volt) RD-5-12532-OP
REPLACEMENT FILTER	78R5260 – High Efficiency Filter RD-5-12533-OP 78R5261 – High Capacity Filter RD-5-12534-OP



STAND-ALONE GIDEON PRECLEANER SPECIFICATIONS

WEIGHT	3.93 lbs. (1.78 kg)
MOTOR/FAN	One 12 VDC, single speed (24 VDC available)
CURRENT DRAW	10.2 amps @ 13.6 VDC 6 amps @ 27.2 VDC
DIMENSIONS	9 7/8" long x 7 7/8" wide x 7 7/8" high
UNITS	RD-5-11859-OP 12v RD-5-11860-OP 24v

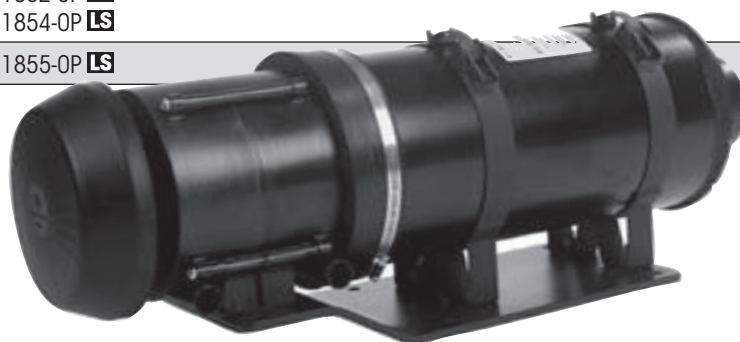


SPECIFICATIONS

WEIGHT	Horizontal: 37 lbs. (16.8 kg) Vertical: 41 lbs. (18.6 kg)		
MOTOR/FAN	One 12 VDC, single speed (24 VDC available)		
CURRENT DRAW	10.2 amps @ 13.6 VDC 6 amps @ 27.2 VDC		
DIMENSIONS	Precleaner: 9 7/8" long x 7 7/8" wide x 7 7/8" high Powered HVAC Filtration System: 29 5/8" long x 7 7/8" wide x 9 5/8" high		
UNITS	12 volt	Horizontal: 78R5602 Vertical: 78R5612	RD-5-11851-OP LS RD-5-11853-OP LS
	24 volt	Horizontal: 78R5604 Vertical: 78R5614	RD-5-11852-OP LS RD-5-11854-OP LS
REPLACEMENT FILTER	78R5259	RD-5-11855-OP LS	

AIR FILTER SPECIFICATIONS

Media Area: 37.43 ft²
Outlet Diameter (ID): 4 inches
 Rated for continuous use up to 230°F
Efficiency: 99.9% (per SAE J726) fine dust
 Filter media is water resistant
 ● Remains ridged and retains shape when moist
 ● Does not wick water



LS = Limited to stock on hand