

ON ROAD

R-2000 HEADLINER

Air Conditioner Unit

TRUCKS • MOTOR HOMES • VANS • REFUSE

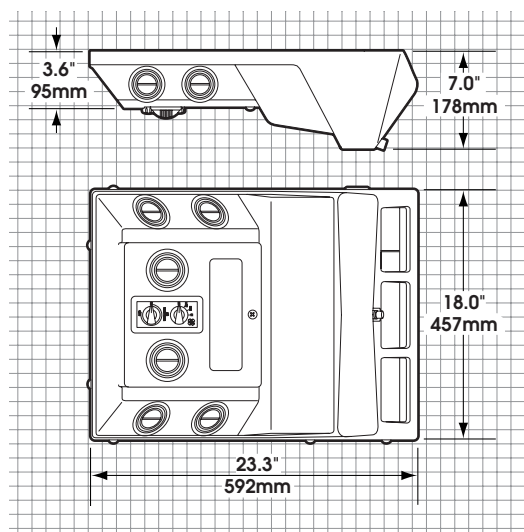
The compact, low profile design of the R-2000 allows an out of the way ceiling mount in virtually any vehicle. The high output of ice cold air blowing down from above is the ultimate in driver comfort.

The R-2000 can be installed facing any direction that best suits the particular application. Not only does this air conditioner make a perfect installation in cabs where space is a problem it is also an effective auxiliary cooling unit in vans, motor homes and small delivery vehicles.



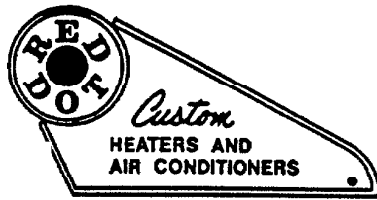
R-2000 SPECIFICATIONS

BTU'S	Cooling – 17,000 BTU/Hr w/36°F (5 kW w/ 2.2°C) refrigerant temp. and 80°F (26.7°C) wet bulb entering air
AIR FLOW	235 CFM (400 m3/h)
WEIGHT	24 lbs. (11 kg)
CURRENT DRAW	18.5 amps @ 13.6 VDC (includes 4 amps for A/C clutch) 9.3 amps @ 27.2 VDC (includes 2 amps for A/C clutch)
CONTROLS	Three speed fan, adjustable thermostat
MODELS	R-2000-6P (12 VDC), R-2000-6-24P (24 VDC)



R-2000 SYSTEM ORDERING GUIDE

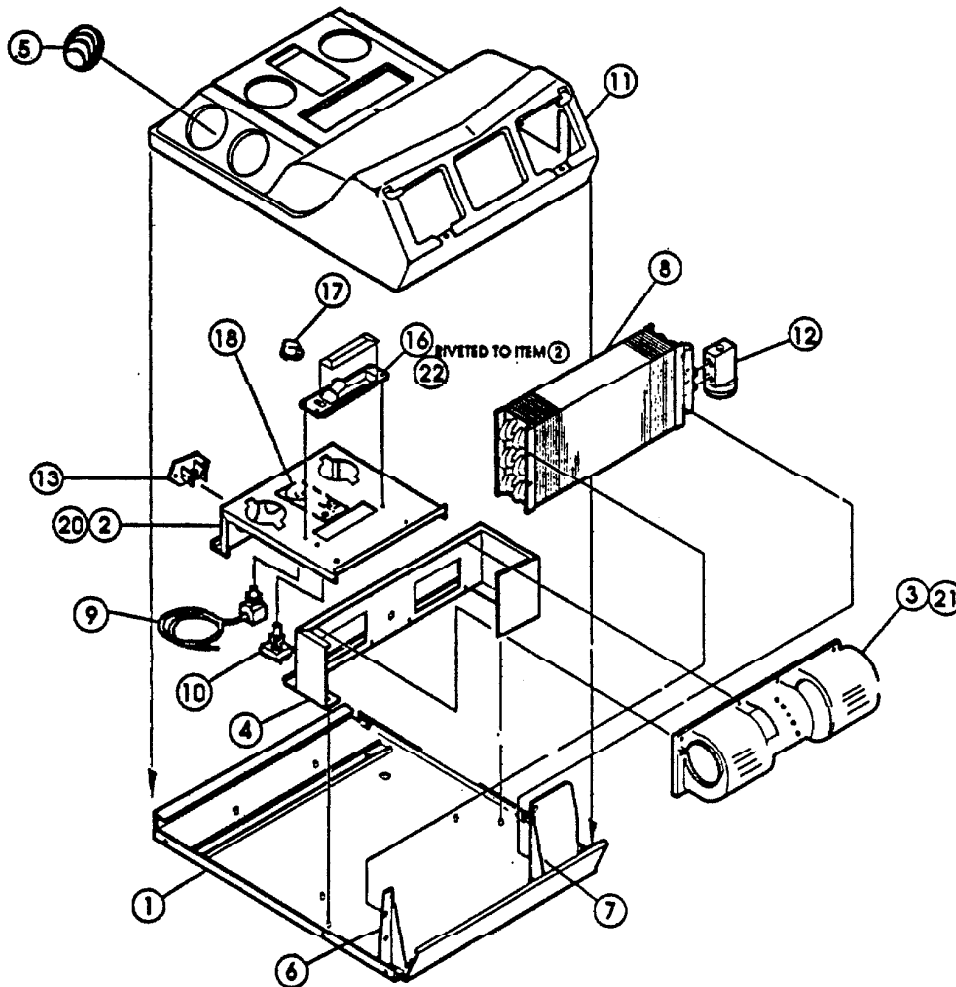
	R12/R-134a	NOTES
UNIT	R-2000-6P R-2000-6-24P	12 VDC 24 VDC
CONDENSER	R-6160 - ROOF MOUNT 77R0650 / RD-4-3724-0P - UNIVERSAL	
INSTALLATION KIT	78R1027 / RD-5-11864-1P 78R1025 / RD-5-5015-4P 78R1070 / RD-5-5406-2P	Front mount condenser / E-Z Clip version Front mount condenser / ATCO version Roof Mount Condenser / ATCO version
COMPRESSOR	See 75 Series Compressor section	
R12 SERVICE VALVES	75R5611 & 75R5618	Required with CCI and TECUMSEH applications.
R134A CHARGE FITTING	75R5681 & 75R5688	Required with CCI and TECUMSEH applications.
CLUTCH TECUMSEH/CCI	See 75 Series Clutch section	
COMPRESSOR MOUNT KIT	See Compressor Mount Applications section	



Model R-2000-6 Series

SERVICE PARTS LIST

SERVICE PARTS LIST



ITEM	NOTE	PART NO.	DESCRIPTION	CAT. NO.	ITEM	NOTE	PART NO.	DESCRIPTION	CAT. NO.
1		RD-2-2994-1	BASE PLATE ASSY		12		RD-5-6868-0	EXPANSION VALVE	71R 8300
2		RD-2-2997-1	CONTROL PANEL ASSY (12V)		13		RD-5-3647-0	RESISTOR	71R 1450
3		RD-5-8526-0	MOTOR/BLOWER ASSY (12V)	73R 5512	14	A	RD-2-3135-0	WIRE HARNESS ASSY	
4		RD-2-3005-0	MOTOR MOUNT ASSY		15	A	RD-2-1017-0	FOAM - EVAPORATOR	
5		RD-5-8436-0	LOUVER	72R 3120	16		RD-5-8535-0	DOME LIGHT ASSY	71R 1262
6		RD-2-0986-1	RETAINER - BTM HDR		17		RD-5-5928-0	KNOB (2)	71R 4040
7		RD-2-3003-1	RETAINER - TOP HDR		18		RD-2-0851-1	LABEL	
8		RD-2-0993-1	EVAPORATOR ASSY	76R 5200	20	B	RD-2-2997-2	CONTROL PANEL ASSY (24V)	
9		RD-5-4531-24	THERMOSTAT	71R 3200	21	B	RD-5-8526-1	MOTOR/BLOWER ASSY (24V)	
10		RD-5-3646-0	SWITCH - 3 SPD FAN	71R 1150	22	B	RD-5-5037-0	LIGHT BULB - 24 VOLT	73R 5514
11		RD-2-3006-0	COVER ASSY						

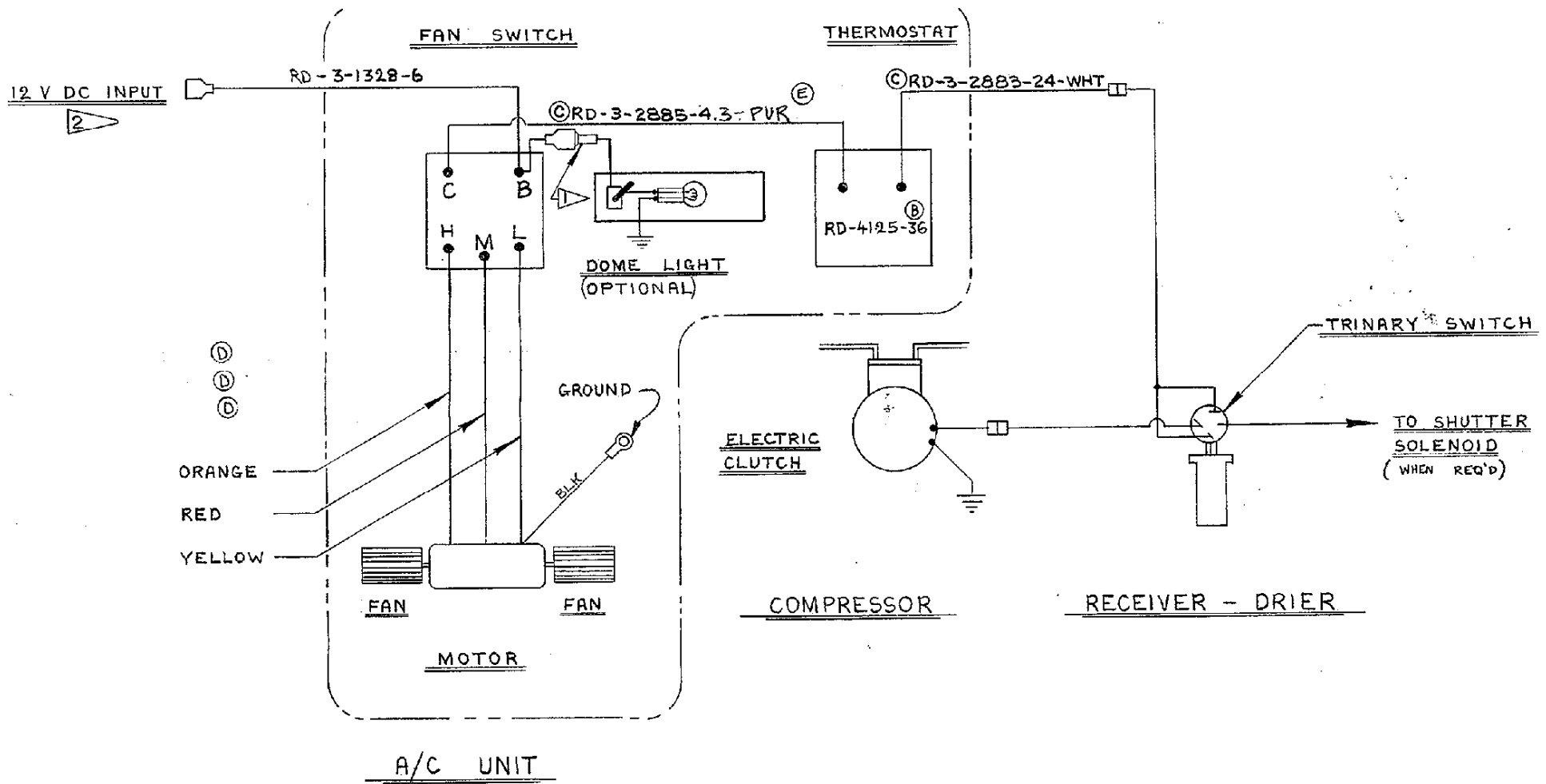
A. NOT SHOWN B. 24 VOLT SYSTEM ONLY

RED DOT CORPORATION P.O. Box 88790 Seattle, WA 98138 (425) 251-6897 FAX (425) 251-3934

RD-2-3138-0 (REV B)

NOTE: FOR REFERENCE ONLY. SUBJECT TO CHANGE WITHOUT NOTICE.

5/97



R-9715 HEADLINER

High Capacity Ceiling Mount Air Conditioner

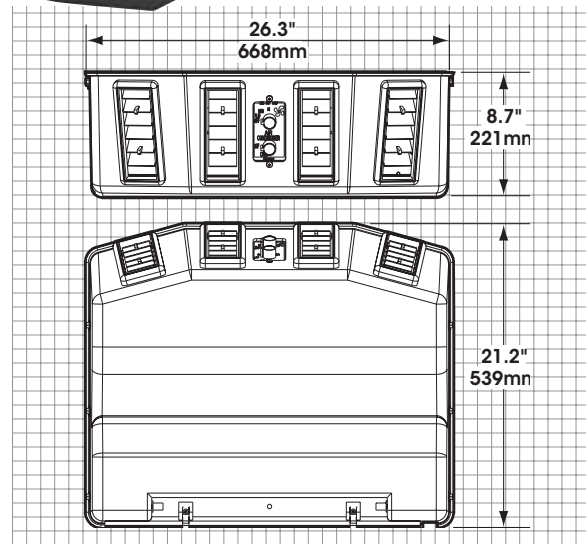
BUSES • VANS • FIRE TRUCKS

The highest capacity unit in our headliner air conditioner line, the R-9715 offers big airflow at 577 CFM. Red Dot has used its established engineering experience to produce the most attractive, quality product on the market. The R-9715 can be used in a variety of larger cab applications such as: Shuttle buses/vans, fire trucks, and smaller school buses. An electric water pump can be used in tilt cab situations or in extremely humid applications.



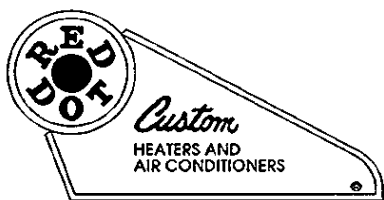
R-9715 SPECIFICATIONS

BTU'S	Cooling – 39,500 BTU/Hr with 36°F (11.6 kW with 2.2°C) refrigerant temp. and 80°F (26.7°C) wet bulb entering air
AIR FLOW	577 CFM (980 m3/h)
WEIGHT	40 lbs. (18 Kg)
CURRENT DRAW	26.3 amps @ 13.6 VDC (includes 4 amps for A/C clutch) 13.2 amps @ 27.2 VDC (includes 2 amps for A/C clutch)
MODELS	R-9715-11P (12 VDC), R-9715-11-24P (24 VDC)



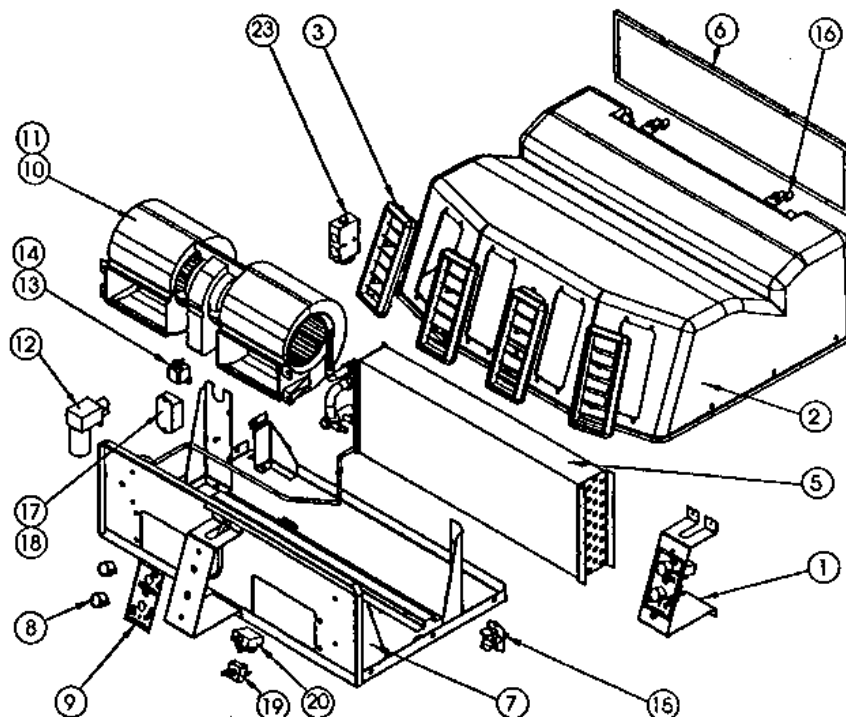
R-9715 SYSTEM ORDERING GUIDE

	R12/R-134a	NOTES
UNIT	R-9715-11P R-9715-11-24P	12 VDC - replaces R-9715-10P 24 VDC - replaces R-9715-10-24P
CONDENSER	R-4500-8P Remote Mount R-4500-8-24P Remote Mount	12 VDC 24 VDC
INSTALLATION KIT	78R1027 / RD-5-11864-1P 78R1025	Refrigerant hose, fittings, drier, pressure switch, hardware / E-Z Clip version Refrigerant hose, fittings, drier, pressure switch, hardware / ATCO version
COMPRESSOR	See 75 Series Compressor section	
R12 SERVICE VALVES	75R5611 & 75R5618	Required with CCI and TECUMSEH applications.
R134A CHARGE FITTING	75R5681 & 75R5688	Required with CCI and TECUMSEH applications.
CLUTCH TECUMSEH/CCI	See 75 Series Clutch section	
COMPRESSOR MOUNT KIT	See Compressor Mount Applications section	
DUAL PUMP KIT	RD-2-3825-0P	



Ceiling Mount Evaporator R-9715

Service Parts List



ITEM	NOTE	PART NO.	DESCRIPTION	CAT. NO	ITEM	NOTE	PART NO.	DESCRIPTION	CAT. NO
1	A, B	RD-2-2926-2	CONTROL PANEL ASSY.		14		RD-5-4417-0	RELAY 24 VOLT	71R1704
2	A	RD-5-8421-1	COVER, PLASTIC		15		RD-5-3647-0	RESISTOR	71R1450
3		RD-4340-0	DIFFUSER	72R2300	16		RD-5-5940-0	SNAP FASTENER	
4	C	RD-5-3550-84	DRAIN HOSE (7 FEET)		17	A, B	RD-5-8425-1	SWITCH ASSY. 12V.	
5		RD-2-2928-0	EVAPORATOR ASSY.		18	A, B	RD-5-8425-3	SWITCH ASSY. 24V.	
6		RD-1-0860-0	FILTER		19		RD-5-3646-0	SWITCH 3SPEED	71R1150
7		RD-2-2933-	HOUSING ASSY.		20		RD-4125-36	THERMOSTAT	71R2250
8		RD-5-5928-0	KNOB	71R4040	21	B, C	RD-2-2944-0	WIRE HARNESS, PUMPKIT	
9		RD-2-0851-1	LABEL		22	B, C	RD-2-2944-1	WIRE HARNESS, PUMPKIT	71R8320
10		RD-3-6770-0	MOTOR / BLOWER ASSY.		23		RD-5-7015-0	VALVE EXPANSION R-134A	
11		RD-3-6770-24	MOTOR / BLOWER 24 V.		24	B, C	RD-2-2940-0	WIRE HARNESS, UNIT 12V.	
12		RD-5-8424-0	PUMP-CONDENSATE		25	B, C	RD-2-2940-1	WIRE HARNESS, UNIT 24V.	
13		RD-5-4408-0	RELAY 12VOLT	71R1702					

A. INCLUDES: ALL ATTACHED COMPONENTS
 B. INCLUDES ALL ELECTRIC SUB COMPONENTS
 C. NOT SHOWN

Red Dot Corporation PO Box 88790, Seattle, WA 98138 (425) 251-6897 Fax (425) 251-3934

OFF ROAD

R-9750 HEADLINER

Air Conditioner Unit with Heat Option

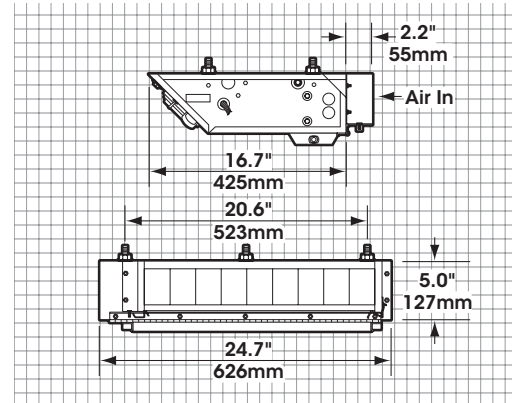
CONSTRUCTION • MINING • AGRICULTURE



The R-9750 is the ultimate choice in off road air conditioning comfort. The R-9750 produces a quick 240 CFM and filters recirculating cab air. Cab pressurization can be added using an outside air adapter and particulate filter. A **HEATER OPTION** rounds out the R-9750 into a perfect package for equipment manufacturers looking for a powerful product in a minimum amount of space.

R-9750 SPECIFICATIONS

BTU'S	Cooling – 17,000 BTU/Hr with 36°F (5 kW with 2.2°C) refrigerant temp. and 80°F (26.7°C) wet bulb entering air Heating – 25,600 BTU/Hr @ 100°F (7.5 kW @ 37.8°C) air temp. rise
AIR FLOW	240 CFM (408 m3/h)
WEIGHT	44 lbs. (20 kg)
CURRENT DRAW	13 amps @ 13.6 VDC (includes 4 amps for A/C clutch) 6.5 amps @ 27.2 VDC (includes 2 amps for A/C clutch)
MODELS	Heater-A/C Units: R-9750-9P (12 VDC), R-9750-9-24P (24 VDC) A/C Only Units: R-9750-10P (12 VDC), R-9750-10-24P (24 VDC)



OPTIONS:



Outside Air Adapter (optional)
RD-3-4784-0P (installed on back of unit)
Heater Conversion Kit
RD-5-5982-1P (not shown)

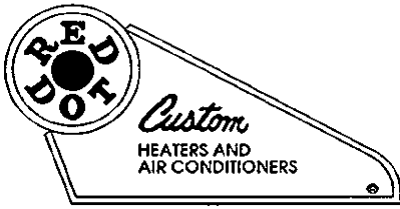
Remote Mount Filter Kits
See Filters & Pressurizers section
In-Line Booster Pressurizers
See Filters & Pressurizers section

R-9750 SYSTEM ORDERING GUIDE

UNIT	R-9750-9P LS R-9750-9-24P R-9750-10P R-9750-10-24P	12 VDC – Heater - A/C 24 VDC – Heater - A/C 12 VDC – A/C Only 24 VDC – A/C Only
CONDENSER	Radiator Mount Remote Mount	See 77 Series Condensers section See Units Condensers section
INSTALLATION KIT	78R1705	Refrigerant hose, fittings and hardware.
COMPRESSOR	See 75 Series Compressor section	
R12 SERVICE VALVES	75R5611 & 75R5618	Required with CCI and TECUMSEH applications.
R134A CHARGE FITTING	75R5681 & 75R5688	Required with CCI and TECUMSEH applications.
CLUTCH TECUMSEH/CCI	See 75 Series Clutch section	
COMPRESSOR MOUNT KIT	See Compressor Mount Applications section	
OPTIONS	Outside Air Adapter Remote Mount Filters Replacement Recirc. Filter In-Line Booster Pressurizers * Heat Conversion Kit Metal Converter Controls Cable	RD-3-4784-0P See Filters & Pressurizers section 78R5310 See Filters & Pressurizers section RD-5-5982-1P RD-5-7999-1P RD-5-5505-33P

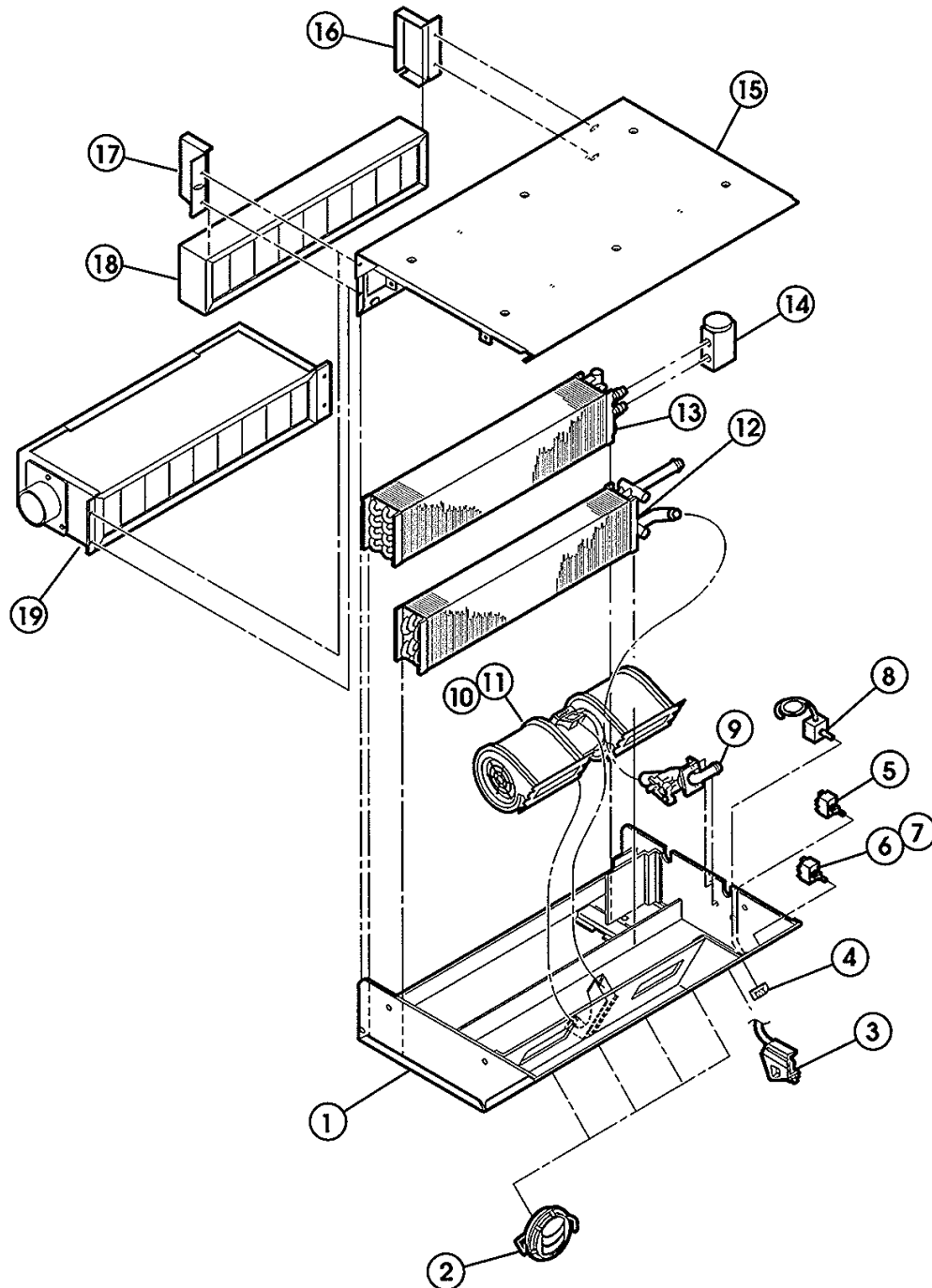
* Booster Pressurizer Can Only Be Used With Remote Mount Filters

LS = Limited to stock on hand



Red Dot Air Conditioner With Heater Option R-9750 Series

SERVICE PARTS LIST



ITEM	NOTE	PART NO.	DESCRIPTION	CAT. NO	ITEM	NOTE	PART NO.	DESCRIPTION	CAT. NO.
1		RD-3-4684-0	BOTTOM HOUSING ASSY		11	B	RD-5-8838-0	BLWR MOTOR ASSY (24V)	73R5534
2		RD-5-8436-0	LOUVER (4)	72R3120	12	D	RD-1-0726-0	HEATER CORE ASSY	76R1000
3	F	RD-5-9022-32	CNVRTR-CABLE CTRL	72R7600	13		RD-2-1633-0	EVAPORATOR ASSY	76R4900
4		RD-5-8812-0	KNOB-CONTROL, ROTARY		14		RD-5-6868-0	EXPANSION VALVE	71R8300
5		RD-5-0071-0	SWITCH-TOGGLE SPDT	71R0400	15		RD-3-4683-0	COVER ASSY - HOUSING	
6	D	RD-4123-2	SWITCH-TOGGLE DPDT	71R0200	16		RD-3-7794-1	BRKT ASSY - FILTER RIGHT	
7	C	RD-5-3748-0	SWITCH - TOGGLE SPST	71R0010	17		RD-3-7495-1	BRKT ASSY - FILTER LEFT	
8		RD-4125-36	THERMOSTAT	71R2250	18		RD-3-4804-0	FILTER	78R5310
9	D, F	RD-5-B083-0	WATER VALVE ASSY	72R5280	19	E	RD-3-4784-0	FRESH AIR BOX ASSY	
10	A	RD-5-B837-0	BLWR MOTOR ASSY (12V)	73R5532	20	E	RD-5-5982-1	CONVERSION KIT	

- A. 12 Volt System Only B. 24 Volt System Only C. Air Conditioner Only
D. Purchased Separately as Part of Heater Con. Kit RD-5-S982-0
E. Optional and Purchased Separately.
F. R-9750-TP (TIMBCO) Uses RD-5-8193-0 Water Valve & RD-5-9022-6 Cable/Converter

Optional components for addition of Heater and/or Pressurization options:

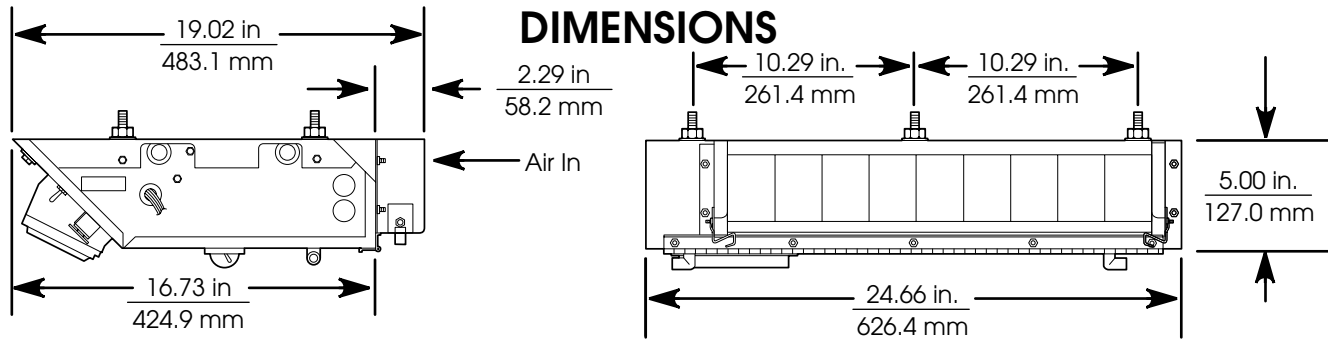
1. Fresh Air Box Assy (for Cab Pressurization) RD-3-4784-0
2. Heater Conversion Kit RD-5-5982-0
 - * 3. 12 Volt Pressurizer 73R9202
 - * 4.24 Volt Pressurizer 73R9204
5. Horizontal Air Filter 78R5100
6. Vertical Air Filter 78R5110

* Used with 78R5100 or 78R5110 Air Filters.



Red Dot Air Conditioner With Heater Option R-9750 Series

TECHNICAL SALES BULLETIN AND SERVICE PARTS LIST



SPECIFICATIONS

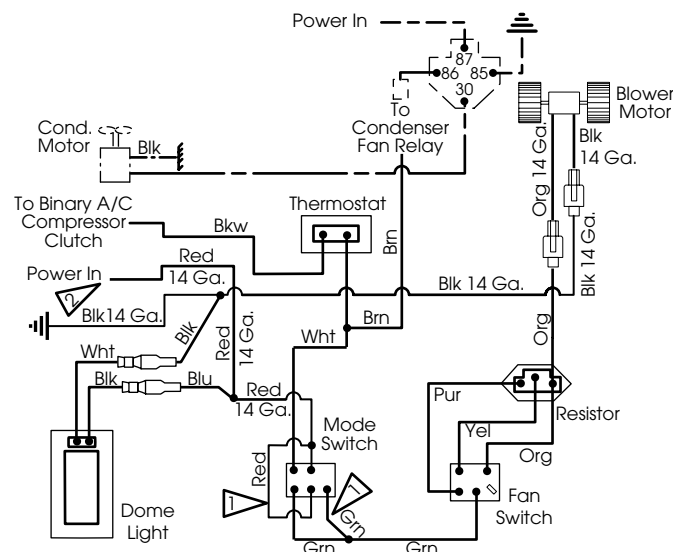
BTU's Per Hour: Cooling- 17,000 Btu/Hr (4.98 K.W./Hr.) @ 80°F. (26.7°C) Wet Bulb and 36°F. (2.20°C) Refrigerant Temp.
 Heating- 25,600 BTU/Hr (7.50 K.W./Hr.) @ 100° F. (37.8°C)

Air Flow: 240 C.F.M. (6.80 M³/MIN)

Current Draw: 13 Amps @ 13.6 Volts (Includes 4 Amps for A/C Clutch)
 6.5 Amps @ 27.20 Volts (Includes 2 Amps for A/C Clutch)

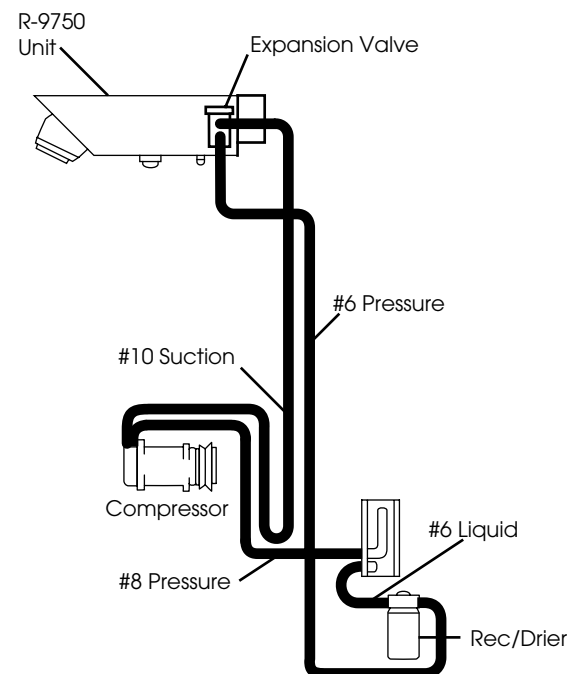
SCHEMATICS

ELECTRICAL SCHEMATIC

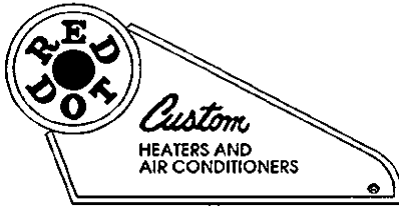


- 1 Not Used A/C Only
- 2 Use 15 Amp Fuse or Breaker for 24V System (Cust. Supplied)
Use 30 Amp Fuse or Breaker for 12V System (Cust. Supplied)

PLUMBING SCHEMATIC



Note: All Wires Are 16 Ga Unless Otherwise Specified
 WARNING: Unit warranty void if fused power source not used.



Compact Headliner Air Conditioner Model R-9750

INSTALLATION INSTRUCTIONS

NOTE:

1. Please read instructions all the way through, making sure you have all the parts and tools.
2. While working on or around a Vehicle disconnect the battery to prevent accidental start-up or electrical shorts.
3. It has been established the R-12 refrigerant does deplete the earth's protective ozone layer. Use care so as not to release this material Into the atmosphere.
4. A/C systems operate under high pressure. At 77°F the refrigerant container will be pressurized to approximately 80 psi. Use caution when working with these materials. Goggles are recommended.
5. To function properly the A/C system must be clean and dry. Keep caps or protective covers on all hoses and fittings until final assembly.
6. **IMPORTANT:** Attach appropriate SAE warning label on vehicle.

NOTE:

1. Additional items required for complete installation:

- | | |
|---------------------------------|--|
| A) Compressor | 8 to 10 cubic inch displacement are required (Sanden SD-5[]8, SD-510 or equivalent). For HFC-134a use a compressor compatible with R-134a |
| B) Condenser | Remote Mount (R-9720 or equivalent); or Radiator Mount (77R 06,50 or equivalent). For R-134a use R-9725 or 77R 0650 |
| C) Compressor Mount Kit | This includes mounting hardware, belts and pulleys (if needed). |
| D) Receiver Drier | High capacity (12 cubic inches of desiccant) 74R 1706 or equivalent. For R-134a applications use 74R 1806 or equivalent. |
| E) System Protection Switch(es) | 71R 7000 binary switch, high and low pressure cut-out or equivalent dual switches. For R-134a applications use 71R 7050. |
| F) Refrigerant Hose | Nylon Barrier or nylon lined refrigerant hose is recommended minimum quality for heavy duty applications. Push-on fittings can be used on either hose although a "crimp fitting" is recommended. Reusable fittings can be used only with the Aeroquip nylon hose (R-12 applications only). Galaxy hose with crimp fittings are recommended for R-134a. |

A. Mounting the Unit

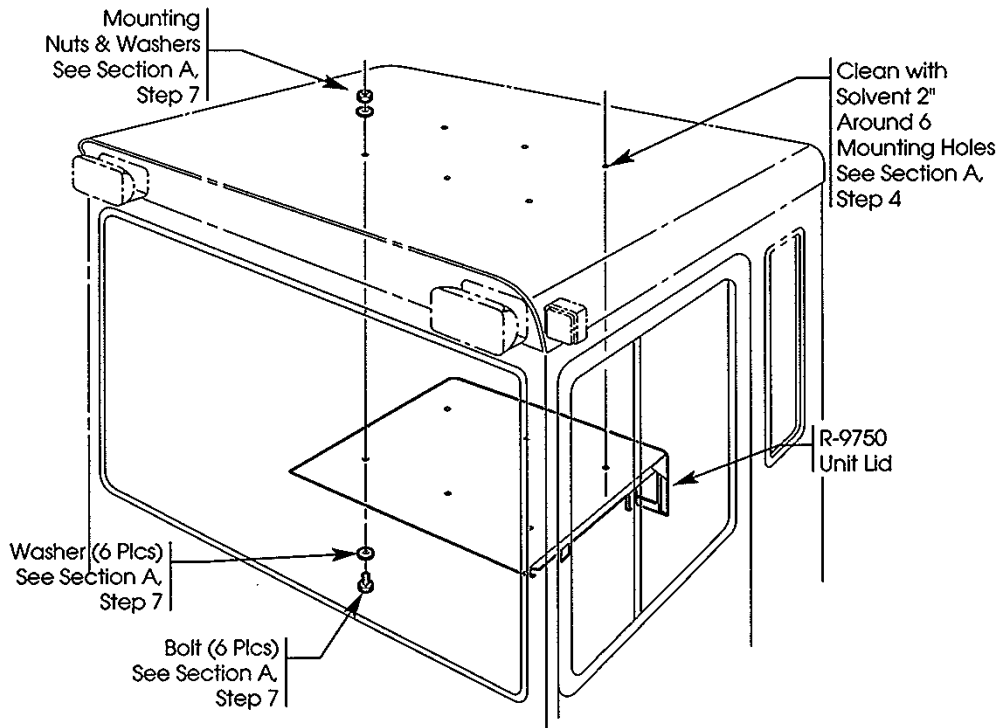
1. Remove the headliner or loosen enough to drop the center portion (Disregard if no headliner).
2. Determine the most suitable location for mounting the air conditioning unit.
 - a. Mark the front-to-rear centerline of the cab on the outside of the cab roof (if centering unit in the cab).
 - b. Unbolt unit lid from main housing and place on the roof using the centerline as a guide.

NOTE: For proper water drainage, be sure the rear of the unit is not mounted higher than the front.

3. Mark the mounting hole locations.
4. Drill the mounting holes and remove burrs and sharp edges. Clean 2" around mounting holes with solvent for application of adhesive sealant to waterproof holes. See Figure 1.

Red Dot Corporation P.O. Box 88790, Seattle, WA 98138 (425) 251-6897 Fax (425) 251-3934

5. Re-assemble unit lid to main housing unit.
6. Temporarily install the headliner unit inside the cab and determine if roof reinforcing is needed, If so, make and install reinforcing at this time.
7. Mount unit to roof of cab using mounting bolts, nuts and washers. See Figure 1.
NOTE: Apply adhesive sealant to the mounting hole locations before mounting unit. Tighten mounting bolts evenly and caulk with sealant.



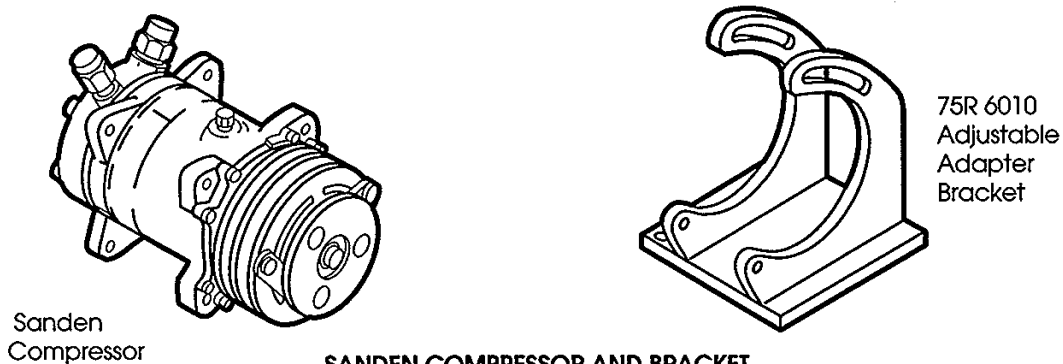
TYPICAL UNIT PLACEMENT

Figure 1

B. Compressor Mounting

1. Install compressor mounting hardware to engine block.

NOTE: Red Dot does not recommend any compressor mount designs that are not directly attached to the engine. If fabrication of compressor mounting bracket is required, be sure to design so the belt wrap is a minimum of 1/3 around the clutch pulley and can be tensioned easily. If designing for a Sanden Compressor, Red Dot does provide an adjustable adapter bracket 75R 6010 which often saves time in design and fabrication. See Figure 2.



SANDEN COMPRESSOR AND BRACKET

Figure 2

2. Install compressor making sure to properly align and tension drive belt.
3. Check compressor refrigerant oil level per compressor manufacturer's instructions.

C. Condenser Mounting (Remote or Radiator Style)

Remote Mount

1. Locate in an area as far from flying debris as possible so the condenser can be easily serviced when motors need changing or cleaning debris from fins.
2. Mount in a position so that the large (#8) hose fitting is above the small (#6) hose fitting.

Radiator Mount

1. A radiator mounted condenser will be effective only if positioned to receive maximum air flow. (Usually flow is greatest toward the outside versus the center of the radiator).
2. Install condenser allowing a minimum of 1.5 inch air space between the condenser and the radiator. Also, all radiators should have baffles on top and sides to prevent hot air recirculating back around the radiator.

D. Refrigerant Hose Installation

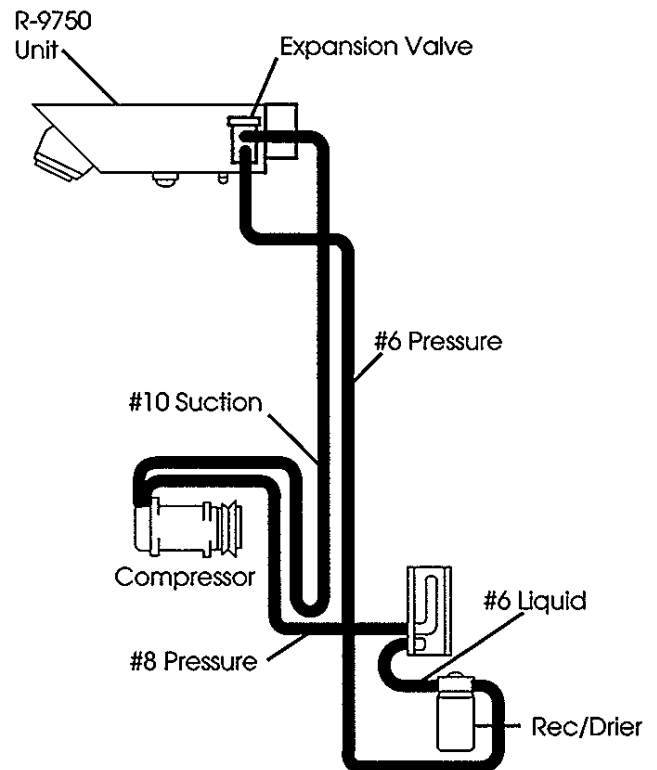
1. Determine desired hose routing and measure hose lengths, per plumbing schematic. See Figure 3.
NOTE: If suction line #10 hose length is longer than 10 feet, Red Dot recommends using #12 refrigerant hose and "step-up" refrigerant fittings. This will improve system function.
2. Cut refrigerant hose to length using a knife. DO NOT SAW OFF. See Figure 4, Step 1.
3. Install fittings on hose. See Figure 4, Steps 2 and 3. (Be sure to clean out refrigerant hose after cuffing).
4. Add refrigerant oil to A/C components as follows:

2 oz. - Condenser

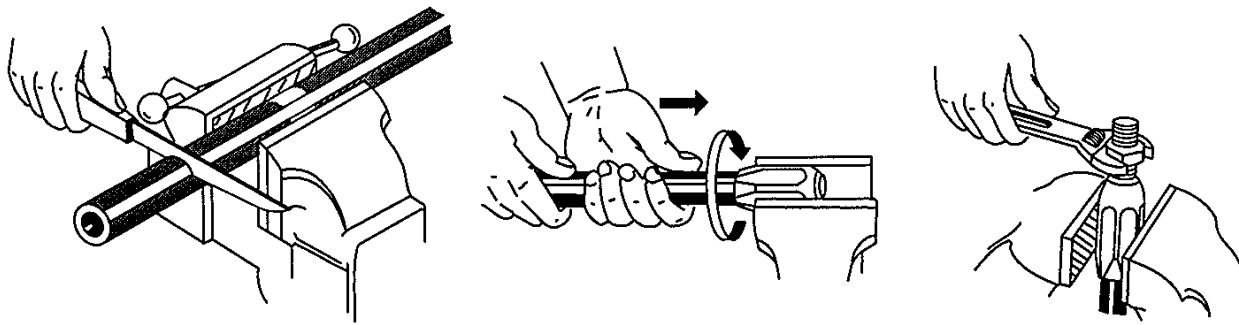
1 oz. - Receiver Drier

1 oz. - Evaporator

If using R-134a refrigerant, be sure to use oil recommended by the compressor manufacturer.



**R-9750 PLUMBING SCHEMATIC
Figure 3**



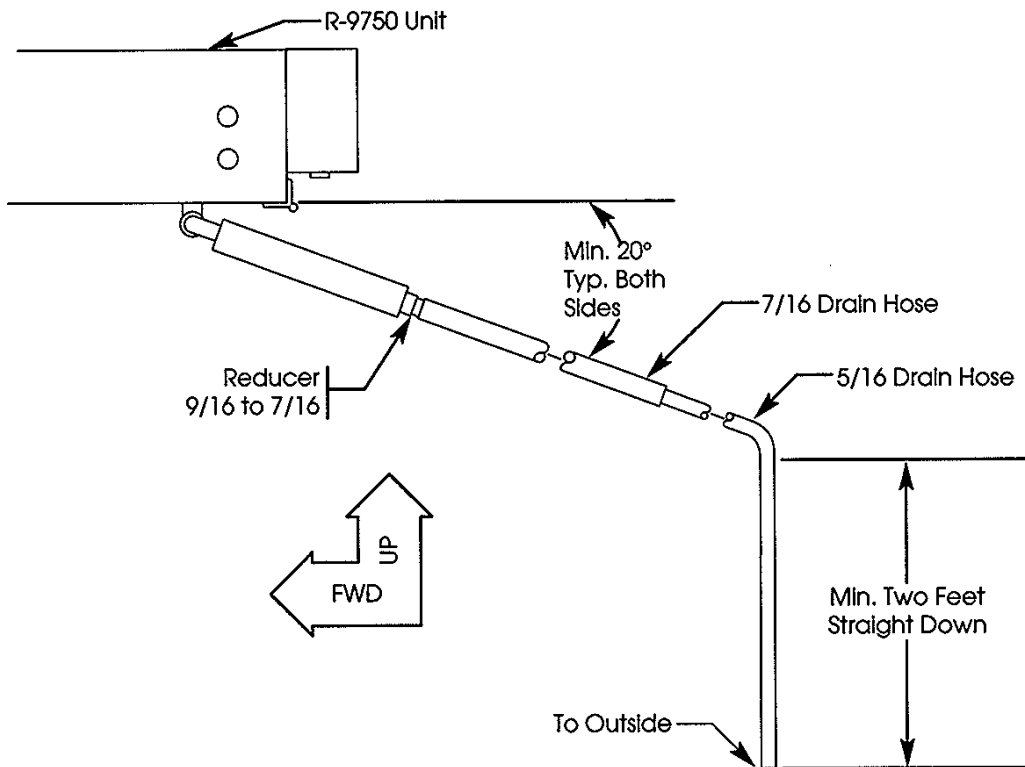
1. Cut hose to proper length.
2. Screw hose into collar (left hand thread) until hose bottoms. Back out 1/4 turn.
3. Screw fittings into collar until insert bottoms. (Lubricate insert and I.D. of hose for ease of assembly).

**REUSABLE FITTING INSTALLATION
(R-12 Systems Only)
Figure 4**

5. Lubricate "O" rings with mineral oil and attach to fittings. Route and connect #6, #8 and #10 hoses to unit, compressor, condenser, and receiver drier per plumbing schematic. See Figure 3. (Use appropriate oil for R-12 or R-134a).
6. Use clamps to secure hoses and prevent hose movement. Hoses must not come in contact with hot vehicle components, exhaust manifold, etc., and they should not be subject to mechanical abrasions. NOTE: Insulating the suction line is often required for proper system performance.

E. Drain Hose Installation

NOTE: See Figure 5 for additional information on drain hose installation.



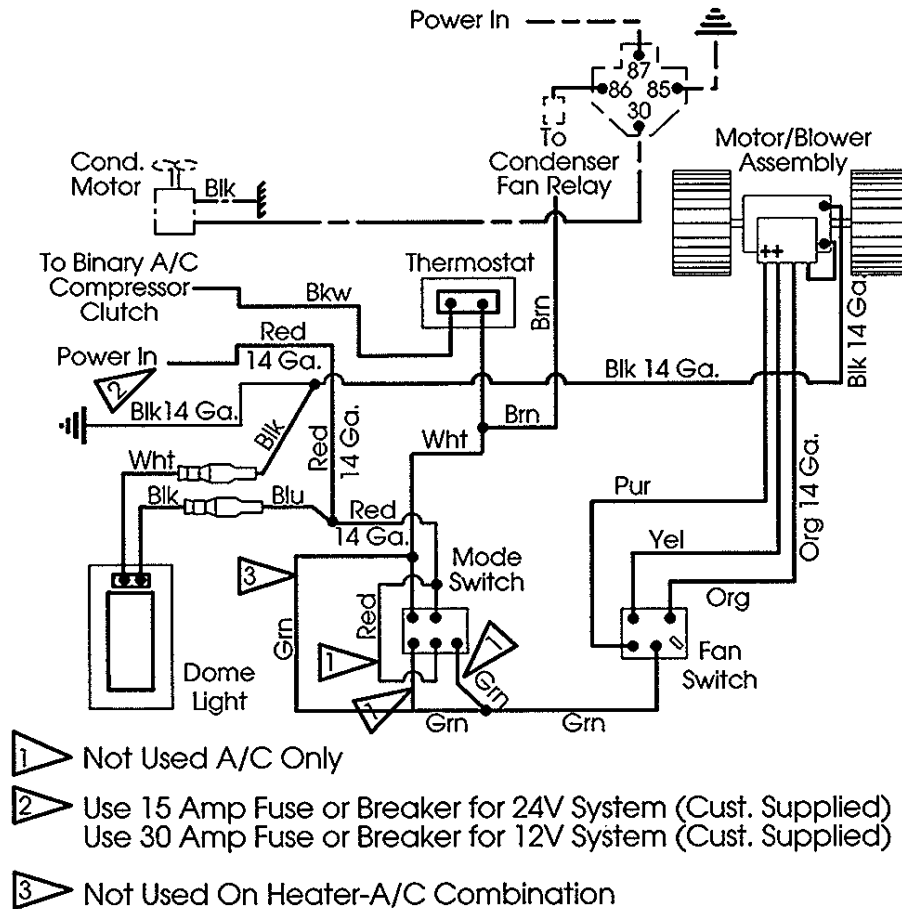
**DRAIN HOSE INSTALLATION
Figure 5**

1. Attach drain hose assembly to the unit.
2. Route drain hoses out the cab at desired location. Be certain the drain hoses run downhill from the unit at a minimum slope angle of 20°. Also be certain the last two feet point straight down.
NOTE: The drain hose is stepped down in size at two places to promote siphoning water from the drain pan under evaporator. The reduction in diameter forces the water to flow in a solid column. This creates a suction that draws the rest of the water out of the pan, For this effect to work properly, the last two feet of 5/16 O.D. drain tube should point straight down or as close to this as possible.
3. If drain hose assembly is too long remove 7/16 drain hose at reducer; cut to desired length and re-install.
4. Secure drain hoses with tie wraps. Inspect to make sure hoses are not kinked or pinched off.

F. Unit Wiring

NOTE: See Figure 6 for wiring diagram provided for additional information.

1. Disconnect bakery.
2. Black w/White - Route to low pressure protection switch stripe wire.
3. Red Wire - Connect to an ignition switch supply through a 30 amp circuit breaker for 12 volt system; a 15 amp circuit breaker for 24 volt system.
4. Black Wire - Unit grounding wire.
5. Brown Wire - Route to condenser motor via relay.



Note: All Wires Are 16 Ga Unless Otherwise Specified
WARNING: Unit warranty void if fused power source not used.

WIRING DIAGRAM
Figure 6

G. Final Assembly and Check

WARNING

The owner operator of the R-9750 unit accepts the responsibility for the proper and safe installation and maintenance of the unit. Special attention must be given to the mounting assembly and fasteners as well as the hose assembly and connections to be sure that they are securely fastened and in good condition to preclude the possibility of personal injury.

1. Evacuate the system, then charge with refrigerant and test for leaks.
2. Connect the battery.
3. Turn the ignition switch to the "on" position and place the fan speed switch on the highest position.
4. Place the Heat-A/C switch to the "A/C" position and the temperature control lever on the coldest position.
 - a. The clutch should click on and be engaged.
 - b. The evaporator blower should be turning at high speed.
5. Turn the fan switch to the "off" position and compressor clutch should disengage.
6. Move the Heat-NC switch to the "Heat" position and compressor should disengage.
7. Start engine and run at 1500-2000 rpm. Place the Heat-A/C switch to the "A/C" position and the A/C fan switch to the high speed position. Check sight glass for bubbles. Add 6 to 8 ounces more refrigerant after the sight glass just clears.
8. Make sure clutch cycles off and on as system is operating.

OFF ROAD

R-9755 HEADLINER

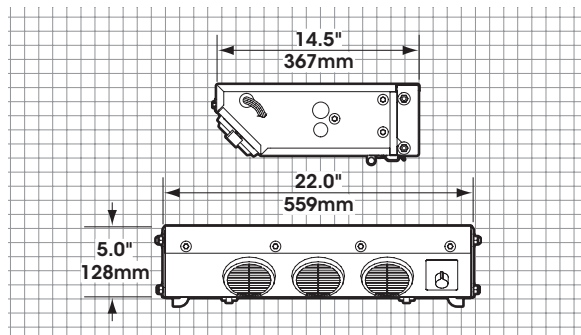
Air Conditioner Unit

CONSTRUCTION • MINING • INDUSTRIAL

The R-9755 compact headliner air conditioner was designed for hard to air condition cabs. Its compact, low profile, heavy duty construction makes this unit the best in its class for off road applications. With its capacity to filter recirculated air and adaptability to use an outside air adapter, dusty environments are not a problem.



R-9755 SPECIFICATIONS	
BTU'S	Cooling – 17,000 BTU/Hr with 36°F (5 kW with 2.2°C) refrigerant temp. and 80°F (26.7°C) wet bulb entering air
AIR FLOW	240 CFM (408 m3/h)
WEIGHT	32 lbs. (14.5 kg)
CURRENT DRAW	14.1 amps @ 13.6 VDC (includes 4 amps for A/C clutch) 7 amps @ 27.2 VDC (includes 2 amps for A/C clutch)
MODELS	A/C Only Units: R-9755-0P (12 VDC), R-9755-0-24P (24 VDC)



OPTIONS:



Outside Air Adapter (optional)
RD-3-4784-0P with 3" Inlet
(installed on back of unit)

Remote Mount Filter Kits
See Filters & Pressurizers section

Inline Booster Pressurizers
See Filters & Pressurizers section

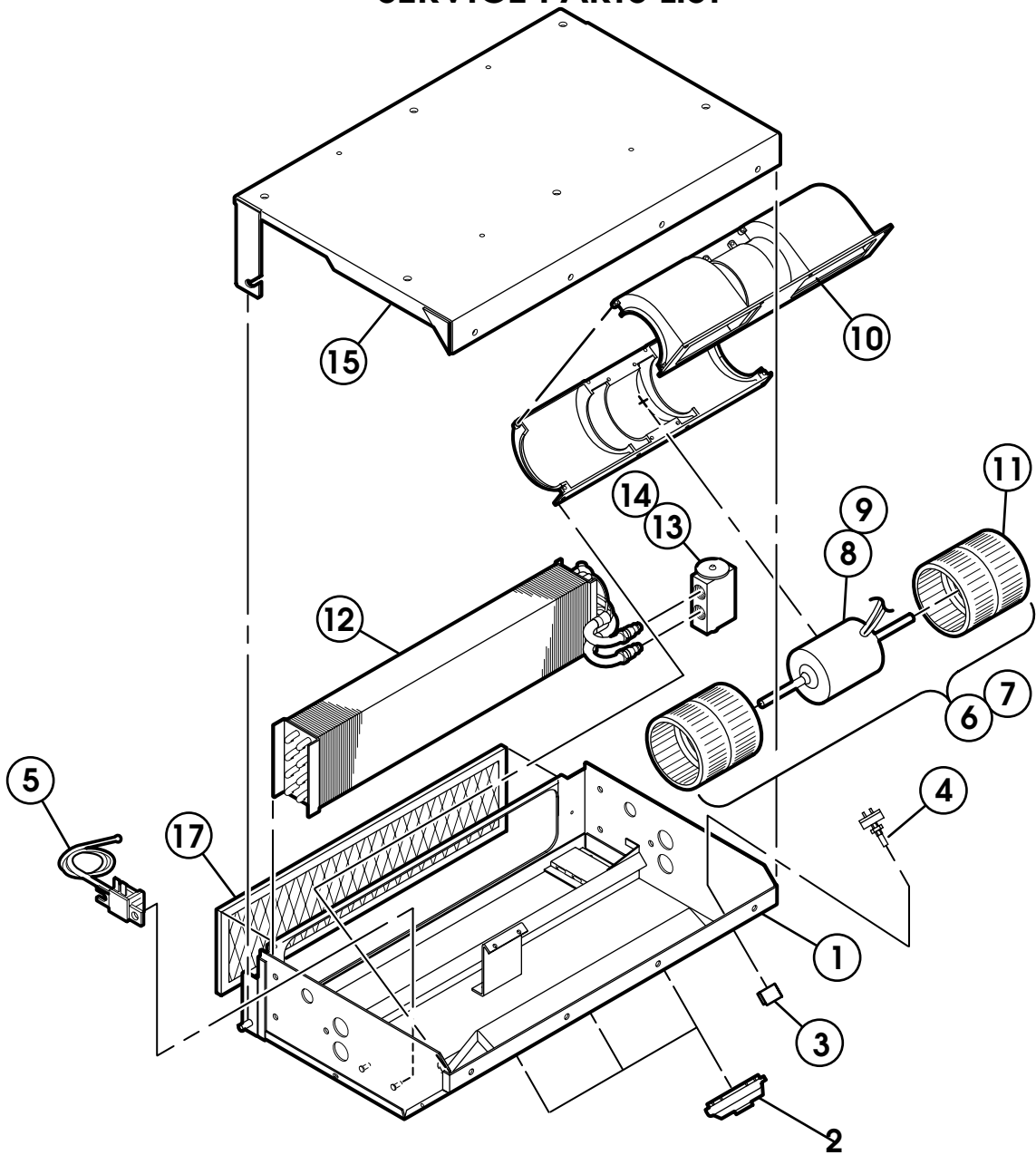
R-9755 SYSTEM ORDERING GUIDE

	R12/R-134a	NOTES
UNIT	R-9755-0P R-9755-0-24P	12 VDC 24 VDC
CONDENSER	R-9720 - Remote Mount	
INSTALLATION KIT	78R1705	Refrigerant hose, fittings and hardware.
COMPRESSOR	See 75 Series Compressor section	
R12 SERVICE VALVES	75R5611 & 75R5618	Required with CCI and TECUMSEH applications.
R134A CHARGE FITTING	75R5681 & 75R5688	Required with CCI and TECUMSEH applications.
CLUTCH TECUMSEH/CCI	See 75 Series Clutch section	
COMPRESSOR MOUNT KIT	See Compressor Mount Applications section	
OPTIONS	Outside Air Adapter Replacement Filter Remote Mount Filters * Replacement Recirc Filter In-Line Booster Pressurizers	RD-3-4784-0P 78R5310 See Filters & Pressurizers section 78R 5350 See Filters & Pressurizers section

* Booster Pressurizer Can Only Be Used With Remote Mount Filters

HEATER-AC

SERVICE PARTS LIST



ITEM	NOTE	PART NO.	DESCRIPTION	CAT. NO.	ITEM	NOTE	PART NO.	DESCRIPTION	CAT. NO.
1		RD-2-2031-0	HOUSING ASSY		10		RD-5-3781-0	DBL BLOWER HOUSING	
2		RD-5-5223-1	AIR DIFFUSER ASSY (3)	72R 3100	11		RD-5-5656-0	BLOWER WHEEL (2)	73R 7000
3		RD-5-5928-0	KNOB-CONTROL	71R 4040	12		RD-2-2047-0	EVAPORATOR ASSY	76R 4920
4		RD-5-3646-0	SWITCH, 3 SPEED	71R 1150	13		RD-4157-0	EXPANSION VALVE	71R 8300
5		RD-5-4531-24	THERMOSTAT	71R 3200	14		RD-5-6868-0	EXPANSION VLV R-134a	71R 8310
6		RD-2-2048-0	BLWR MOTOR ASSY (12V)		15		RD-2-2041-0	COVER ASSY - HOUSING	
7		RD-2-2048-1	BLWR MOTOR ASSY (24V)		16	A	RD-3-4784-0	FRESH AIR BOX ASSY	
8		RD-5-3780-0	MOTOR - 12V	73R 4102	17		RD-5-6867-0	AIR FILTER	
9		RD-5-3780-24	MOTOR -24V	73R 4104					

A. OPTIONAL AND PURCHASED SEPARATELY (NOT SHOWN).

Model R-9755 Series

RED DOT CORPORATION P.O. Box 58270 Seattle, WA 98188 (206) 575-3840



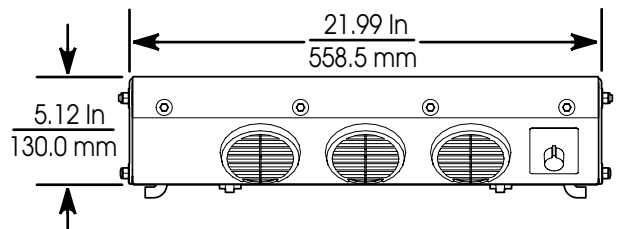
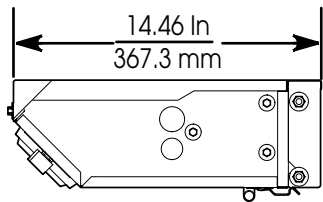
PRINTED ON RECYCLED PAPER



Red Dot Air Conditioner R-9755 Series

TECHNICAL SALES BULLETIN AND SERVICE PARTS LIST

DIMENSIONS

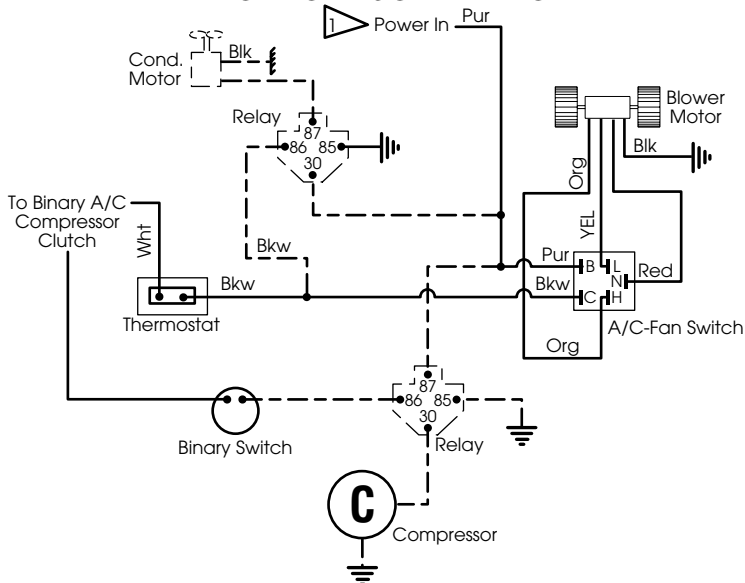


SPECIFICATIONS

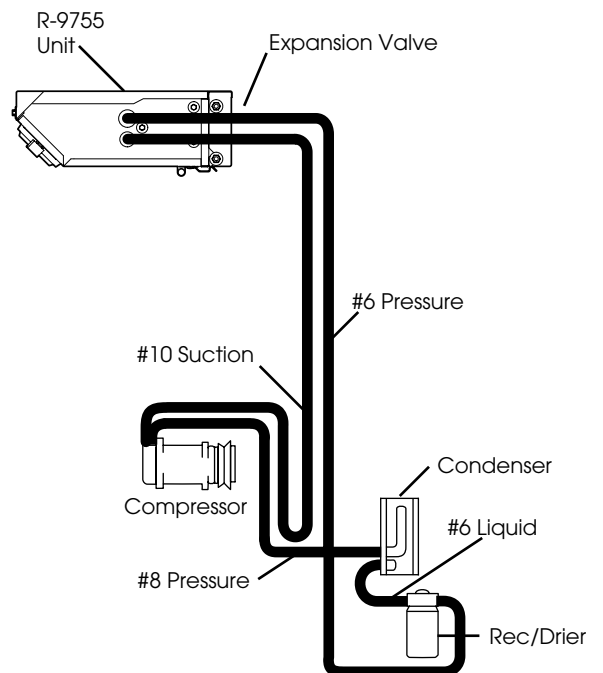
- BTU's Per Hour:** Cooling- 17,000 Btu/Hr (4.98 K.W./Hr.) @ 80°F. (26.7°C) Wet Bulb and 36°F. (2.20°C) Refrigerant Temp.
- Air Flow:** 250 C.F.M.
- Current Draw:** 14 Amps @ 13.6 Volts (Includes 4 Amps for A/C Clutch)
7 Amps @ 27.2 Volts (Includes 2 Amps for A/C Clutch)

SCHEMATICS

ELECTRICAL SCHEMATIC



PLUMBING SCHEMATIC



Use 15 Amp Fuse or Breaker for 24V System (Cust. Supplied)
Use 30 Amp Fuse or Breaker for 12V System (Cust. Supplied)

Note: All Wires Are 16 Ga Unless Otherwise Specified
WARNING: Unit warranty void if fused power source not used.